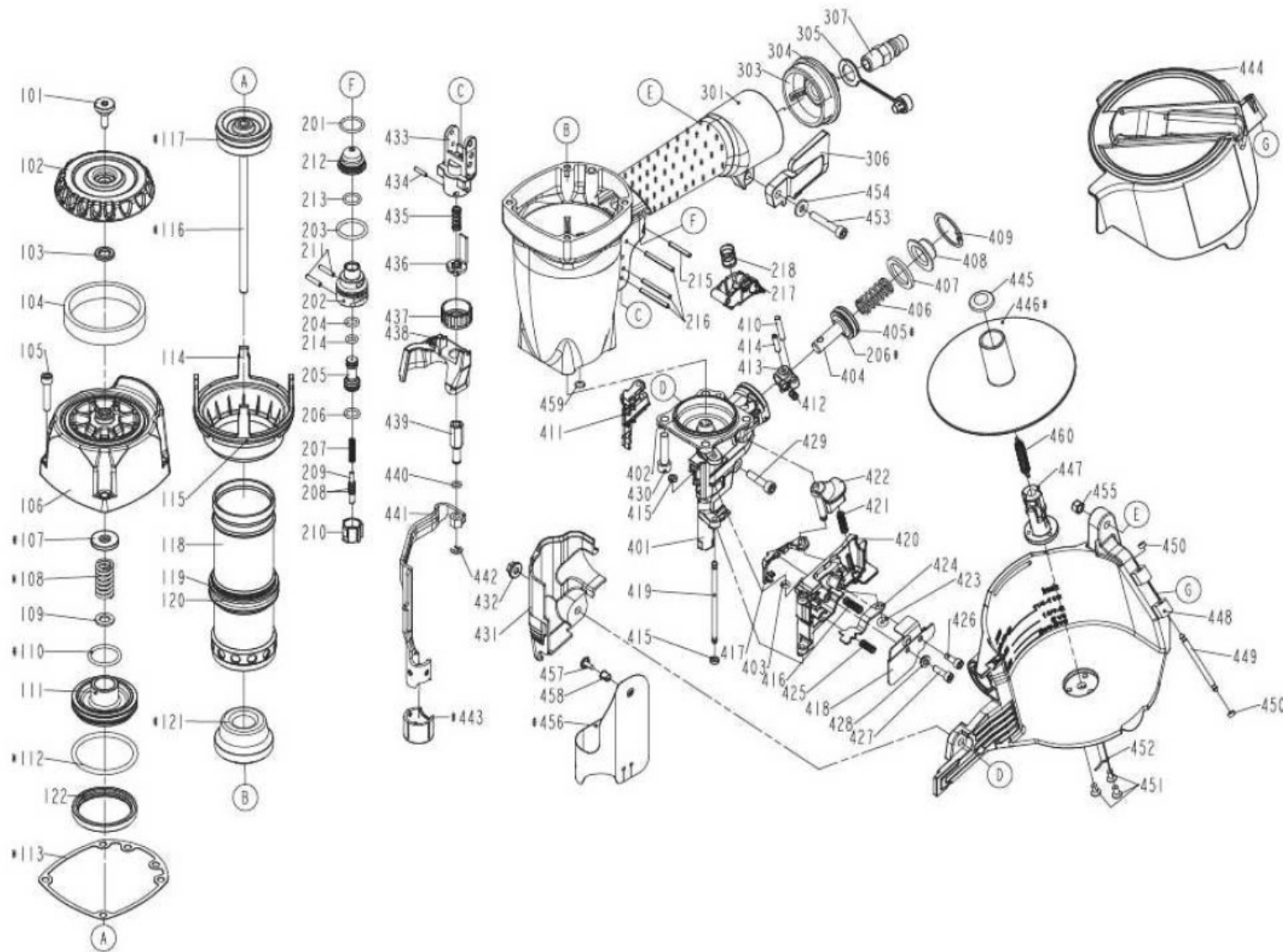


COIL NAILER ESSVE CN 15/65

Tool Partnr: 713064



COIL NAILER ESSVE CN 15/65

Pos	Art. Nr.	Name	Pos	Art. Nr.	Name	Pos	Art. Nr.	Name	Service Kits	
101	10000959	DEFLECTOR BOLT(3M2353)	218	1137603700011	SPRING	434	10001043	SPRING PIN	901035	Service kit
102	10000939	DEFLECTOR	301	10004377	GUN BODY UNIT	435	10000877	WORK CONTACT ELEMENT PRING	901037	Feeding kit
103	10000912	RUBBER PAD	303	10000895	END CAP	436	10000828	SAFETY B UNIT	901039	Driver kit
104	10000868	MUFFLER	304	10001067	O - RING	437	10000980	ADJUST AXIE	901041	Shatter protection
105	10001016	HEX.SOC.HD.BOLT	306	1133D10847011	BELT HOOK	438	10000954	SAFETY COVER	901043	Trigger valve set
106	10004371	CAP	307	10002926	AIR PLUG	439	10000981	ADJUST ROD	901045	No mark set
107	10004372	SEAL	401	10003364	NOSE PIECE	440	10001063	O - RING		
108	874808	COMPRESSION SPRING	402	874848	O - RING	441	10000827	SAFETY A UNIT		
109	10001026	FLAT WASHER	403	10002986	O - RING	442	10001038	E - RING		
110	10004373	O - RING	404	10004378	FEED PISTON	443	901045 (3pcs)	PROTECTIVE CASING		
111	10004374	HD.VALVE PISTON	405	10004379	O - RING P21	444	10000910	MAGAZINE COVER		
112	874812	O - RING	406	10000928	PUSHER SPRING	445	10000901	SPRING BASE A		
113	874813	PACKING	407	10000903	FEED BUMPER	446	10000869	NAIL BRACKET		
114	10000856	CYLINDER SPACER	408	10000924	FEED PISTON CAP	447	10000911	MAGAEING POST		
115	10001065	O - RING	409	10001028	C - RING	448	10000909	MAGAZINE CASE		
116	10004375	DRIVER UNIT	410	10001054	PIN	449	10000918	DOOR SHAFT PIN		
117	874817	O-RING	411	10004380	FEED FINGER	450	10000913	SHAFT RING		
118	874818	CYLINDER	412	10004381	FEED FINGER SPRING	451	10001023	TAP BOLT		
119	874819	O - RING	413	10000851	ANCHOR BLOCK	452	10000884	BELT HOOK		
120	874820	O - RING	414	10001049	SPIRAL PINS	453	10001017	HEX.SOC.HD.BOLT		
121	874821	BUMPER	415	1135H07900011	PU RETAINER	454	2040202030100	FLAT WASHER		
122	10004376	COLLAR	416	10004382	SPRING	455	10001057	LOCK NUT		
201	874323	O - RING	417	10004383	FIRST STOPPER FINGER	456	10004387	MUZZLE PROTECTOR		
202	874324	PLUNGER CAP	418	10000886	NAIL GUIDE COVER	457	10004388	FIXED PIN		
203	10001378	O - RING	419	10000919	DOOR SHAFT PIN	458	10004389	FIXED RING		
204	871524	O - RING	420	10000917	DOOR	459	10004390	O - RING		
205	874327	VALVE PLUNGER	421	874867	LATCH SPRING	460	10003367	PULL SPRING		
206	871526	O - RING	422	10000822	DOOR LATCH UNIT	C		Trigger valve		
207	871527	SPRING	423	10004384	O - RING					
208	874330	O - RING	424	10000838	SECOND STOPPER FINGE					
209	874331	PLUNGER	425	10000839	SPRING					
210	874831	TRIGGER VALVE HEAD	426	10001008	HEX.SOC.HD.BOLT					
211	874333	PIN	427	10001009	HEX.SOC.HD.BOLT					
212	874334	COVER-PLUNGER	428	10000989	LATCH SPRING BUSHING					
213	874335	O - RING	429	10001015	HEX.SOC.HD.BOLT					
214	874336	O - RING	430	10004385	HEX.SOC.HD.BOLT					
215	10001045	SPRING PIN	431	10000898	SAFETY COVER					
216	10001047	SPRING PIN	432	10001059	BOLT CAP					
217	1122407647011	TRIGGER UNIT	433	10000880	SAFETY GUIDE					

